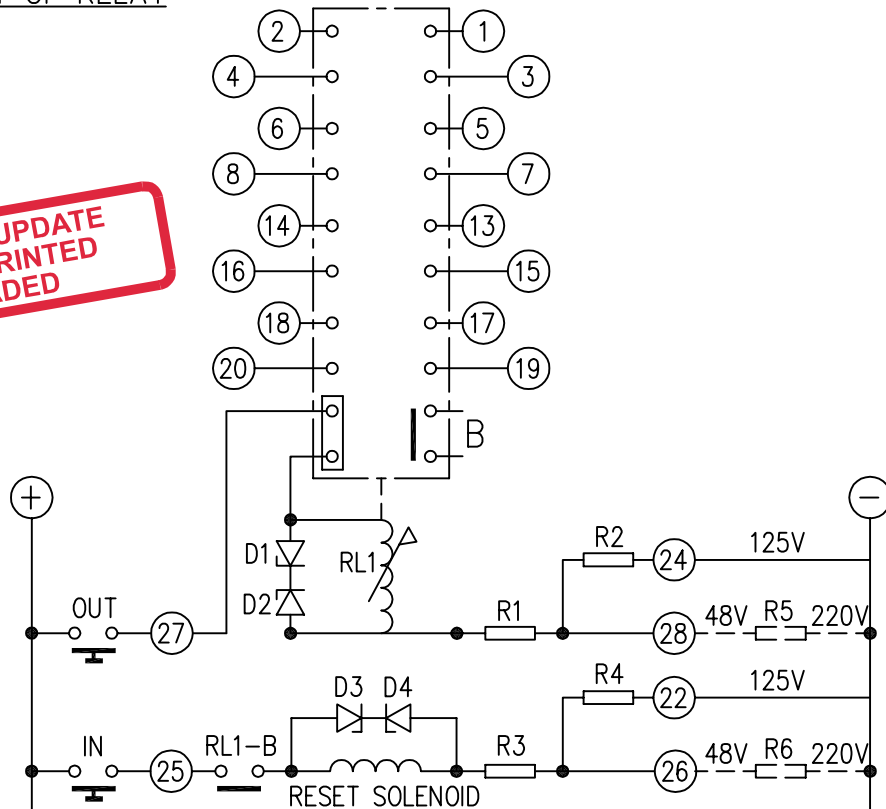


LOOKING ON FRONT OF RELAY

2112W50156

**NOT SUBJECT TO UPDATE
ONCE COPIED / PRINTED
OR DOWNLOADED**



KEY

- make contact
- break contact
- c/o contact
- ext. conn
- plug bridge - shorting
- metering point
- 5Kv barrier
- test socket - shorting
- plug & socket

	150R	2102C25151	1K0	2102C25102	220R	2102C35221	820R	2102C25821	3K7	ASSY 410A14132	2K3	ASSY 410A12727	2105C23750	2105C24680	
	R1		R2		R3		R4		R5		R6		D1&D2	D3&D4	
CONTACT CONFIG.	OUTPUT CONTACT PAIR / TERMINAL No.														
	1-3	2-4	5-7	6-8	9-11	10-12	13-15	14-16	17-19	18-20					
8M	M	M	M	M			M	M	M	M					
7M 1B	M	B	M	M			M	M	M	M					
6M 2B	B	B	M	M			M	M	M	M					
5M 3B	B	B	M	B			M	M	M	M					
4M 4B	B	B	M	B			M	M	M	B					
3M 5B	B	B	M	M			B	B	B	M					
2M 6B	B	B	M	B			B	B	B	M					
1M 7B	B	B	B	B			B	B	B	M					

NOTE:
 1. FOR CONTACTS NOT SHOWN AS EITHER MAKE OR BREAK SEE TABLE.
 2. RELAY CONTACTS ARE SHOWN WITH THE MECHANISM 'IN' ie. WITH THE OPERATE ELEMENT ARMATURE OPEN.

FRAME REFERENCE: E4FS06.
 FRAME TERMINAL BLOCK ASSY: -

ASSEMBLY INSTRUCTIONS: -
 TYPICAL ASSEMBLY DRAWING 2995G10032.
 AT INDICATED POSITIONS FIT AS FOLLOWS:
 T - FIT TRIP ISOLATION CONTACT 2995B10053
 S - FIT STANDARD CONTACT 2995B10054
 SECURE CONTACTS USING FIXING SCREW 2109F99009.
 POSITIONS SHOWN BLANK ARE UNUSED

2	T	T	1
4	T	T	3
6	T	T	5
8	T	T	7
10			9
12			11
14	T	T	13
16	T	T	15
18	T	T	17
20	T	T	19
22	T		21
24	T		23
26	S	S	25
28	S	S	27

VIEW FROM NUMBERED SIDE OF BLOCK

OUTER TERMINAL BLOCK ASSY: -

ASSEMBLY INSTRUCTIONS: -
 TYPICAL ASSEMBLY DRAWING 2995G10029.
 AT INDICATED POSITIONS FIT AS FOLLOWS:
 S - FIT STANDARD CONTACT 2995B10051
 HC - FIT 'HEAVY CURRENT' KIT 2995G10030
 WHERE IS SHOWN FIT CT SHORTING KIT 2995G10031
 POSITIONS SHOWN BLANK ARE UNUSED.
 ALL POSITIONS FIT SCREW 2106F12506.

2	S	S	1
4	S	S	3
6	S	S	5
8	S	S	7
10			9
12			11
14	S	S	13
16	S	S	15
18	S	S	17
20	S	S	19
22	S		21
24	S		23
26	S	S	25
28	S	S	27

VIEW FROM INSIDE FACE

Copyright © 2002 VATECH REYROLLE ACP Ltd. Hebburn

			Title: T.B. AND W.D. FOR TR431-8 RELAY IN EPSILON E4 CASE.			First used on:		
						Similar Articles: 2112W10173		
						Supersedes:		
3 RDW 26/01/06 MN112/2772			2 RDW 12/03/04 MN112/2636			Drg.No. 2112W50156		
1 18/11/02			ISSUE DATE MOD.No.			Original Scale:		
DRAWN: A.LAW.			CHECKED: RD.WATSON			APPROVED: RD.WATSON		
			DATE: 19/11/02			IE:		
						OPS:		